

► "PRÊT À MANGER, FAST FOOD, FRESH FOOD

Gamma completa di banchi standard per soddisfare i nuovi approcci e tendenze della ristorazione veloce.

► PRÊT À MANGER, FAST FOOD, FRESH FOOD

Complete range of standard cabinets to satisfy new approaches and trends of fast-food sector.

► PRÊT À MANGER, FAST FOOD, FRESH FOOD

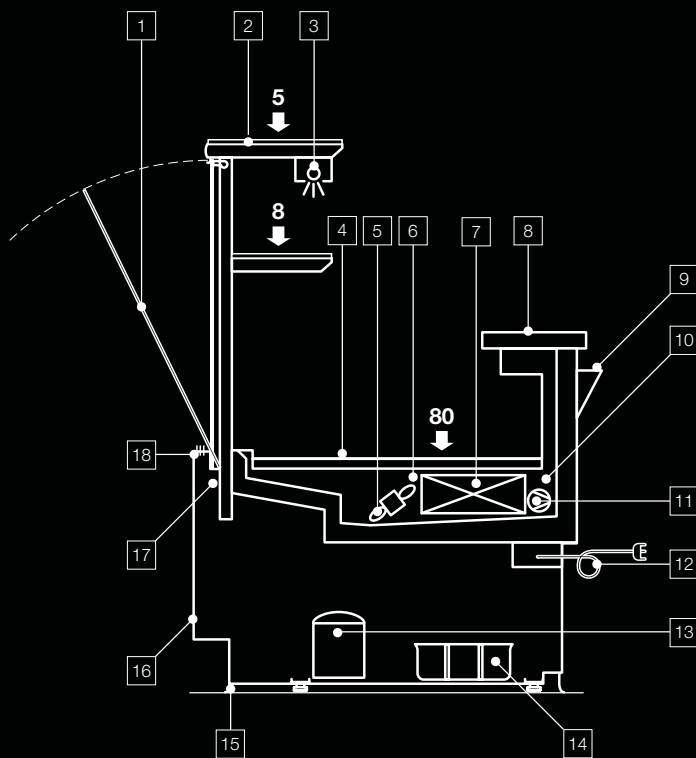
Gamme complète de vitrine standard pour satisfaire les nouvelles approches et tendances du domaine du prêt-à-manger.

► PRÊT À MANGER, FAST FOOD, FRESH FOOD

Vollständige Palette von Standardvitrinen zur Befriedigung der neuen Methoden und Tendenzen des Schnelllebensbereichs.



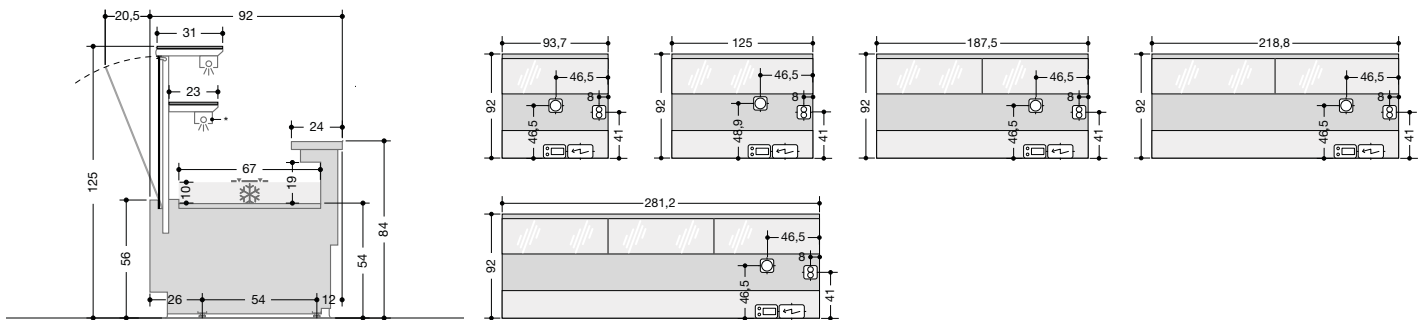




CABINET FEATURES

1. Straight glass structure with downwards glasses.
2. Fixed glass top surface.
3. Lighting: fluorescent tube with Osram warm white 830 light. (p)
4. AISI 304 stainless steel display surface.
5. Ventilated refrigeration with potentiometer to adjust air flow rate.
6. AISI 304 stainless steel unit interior.
7. Evaporator treated with cataphoresis.
8. Working board in stainless steel scratchproof.
9. Paper-holder.
10. Ventilated defrosting with compressor block.
11. R404a thermostatic refrigeration valve. (p)
12. Cabinet without refrigeration unit: binding clamp.
13. Cabinet with refrigeration unit: control panel.
14. Condensing water collection tank. *
15. Front and rear bumper skirting.
16. Customizable front panel - see colour chart. (p)
17. Multiplexable.
18. Anti-fogging front ventilation.

(p) Customizable on request - * Optional



ESPRIT ES200



Sandwich.

Operating temperature: 3°/+5°

Climatic class (EN441): 3

Temperature class: M2

Type of refrigeration: ventilated

Defrosting: compressor stop (resistor *)

Display surface: 0,67 m² per linear meter

Evaporator: cataphoresis treated

Lighting: fluorescent tube with white light (colour 830)

Reactor: electronic

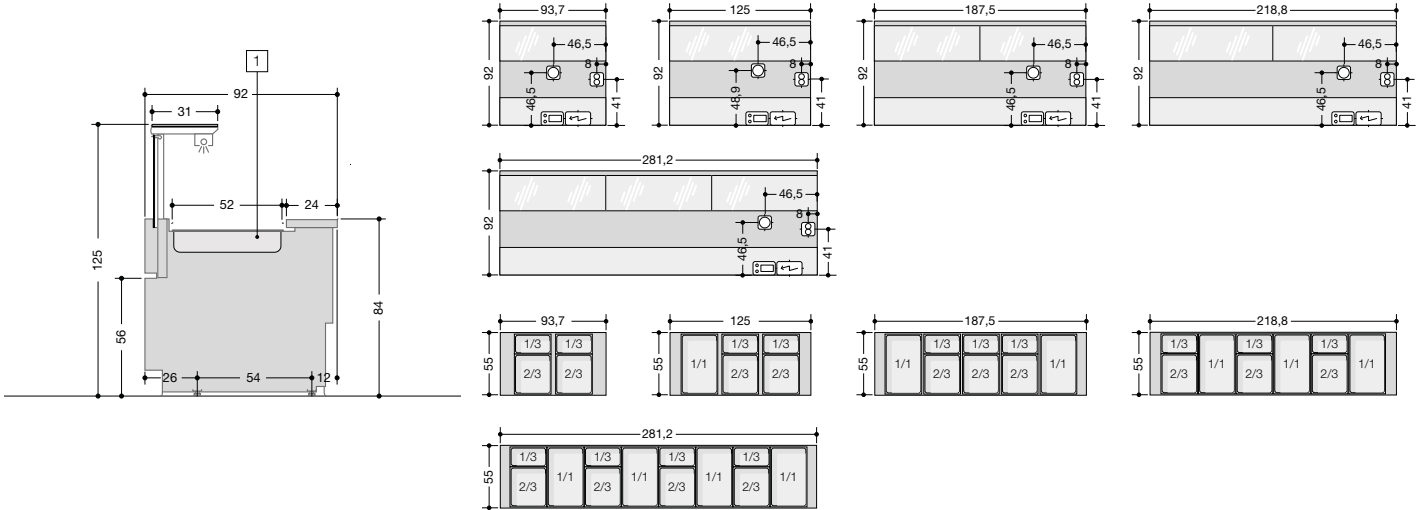
Control: electronic

Average refrigerating power (evaporation -10 °C):
300 W per linear meter

	L	93,7	125	187,5	218,8	281,2
❄️		320	430	620	730	930
⊙		ø 40	ø 40	ø 40	ø 40	ø 40
⊗		ø 6-12	ø 6-12	ø 6-12	ø 6-12	ø 6-12
△		0,62	0,83	1,25	1,46	1,88
🍴		1	1	2 (93,7)	2 (109,4)	3 (93,7)
📺		1	1	1	2	2
⚠️		230-1-50	230-1-50	230-1-50	230-1-50	230-1-50
📺		490W	600W	770W	900W	1300W
🌸		60W	60W	120W	120W	120W
💡		1 x 21W (87)	1 x 28W (117)	2 x 21W (87)	1 x 21W (87) 1 x 28W (117)	1 x 28W (117) 1 x 35W (147)
W		571	688	932	1062	1480
💡 *		1 x 21W (87)	1 x 28W (117)	2 x 21W (87)	1 x 21W (87) 1 x 28W (117)	1 x 28W (117) 1 x 35W (147)
⚡ *		225W	350W	450W	600W	840W

L = Length without endwalls

* Optional



ESPRIT ES210



Salad Bar.

1. Food tray.

Operating temperature: 4°/+6°

Climatic class (EN441): 3

Temperature class: H1

Type of refrigeration: ventilated

Defrosting: compressor stop (resistor *)

Evaporator: cataphoresis treated

Display surface: gastronorm trays h=100 mm

Lighting: fluorescent tube with white light (colour 830)

Reactor: electronic

Control: electronic

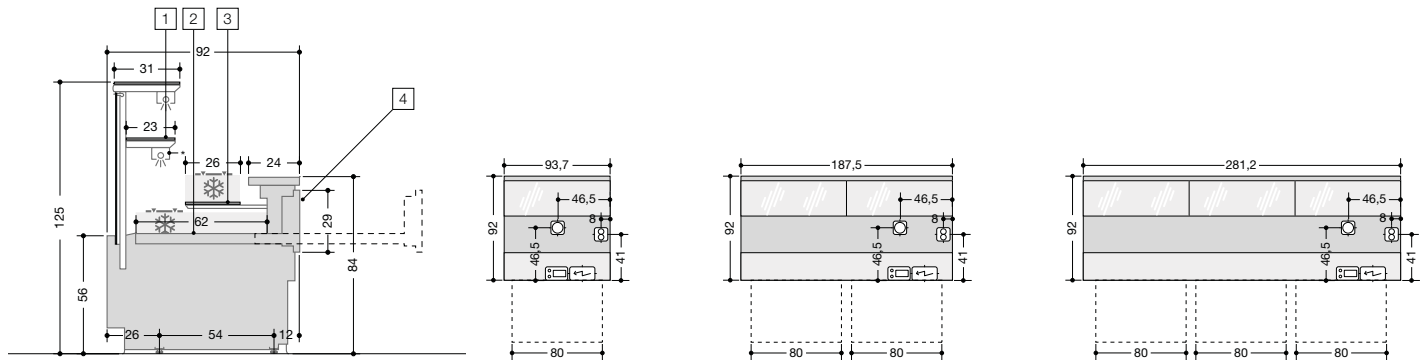
Average refrigerating power (evaporation -10 °C):
300 W per linear meter

Dimensions and structure of gastronorm trays:

1/1	1/3	2/3
32,5 x 53	32,5 x 17,6	32,5 x 35,4
h 10	h 10	h 10

L	93,7	125	187,5	218,8	281,2
	320	430	620	730	930
	ø 40	ø 40	ø 40	ø 40	ø 40
	ø 6-12	ø 6-12	ø 6-12	ø 6-12	ø 6-12
	1	1	2 (93,7)	2 (109,4)	3 (93,7)
	1	1	1	2	2
	230-1-50	230-1-50	230-1-50	230-1-50	230-1-50
	490W	600W	770W	900W	1300W
	60W	60W	120W	120W	120W
	1 x 21W (87)	1 x 28W (117)	2 x 21W (87)	1 x 21W (87) 1 x 28W (117)	1 x 28W (117) 1 x 35W (147)
	571	688	932	1062	1480
	225W	350W	450W	600W	840W

L = Length without endwalls



ESPRIT ES300



Pastry.

1. Top shelf without refrigeration - shelf lighting. *
2. Cream-colour painted interior.
3. Refrigerated shelf.
4. Removable refrigeration drawer.

Operating temperature: 4°/+6°

Climatic class (EN441): 3

Temperature class: H1

Type of refrigeration: ventilated

Defrosting: compressor stop (resistor *)

Display surface: 0,88 m² per linear meter

Evaporator: cataphoresis treated

Lighting: fluorescent tube with white light (colour 830)

Reactor: electronic

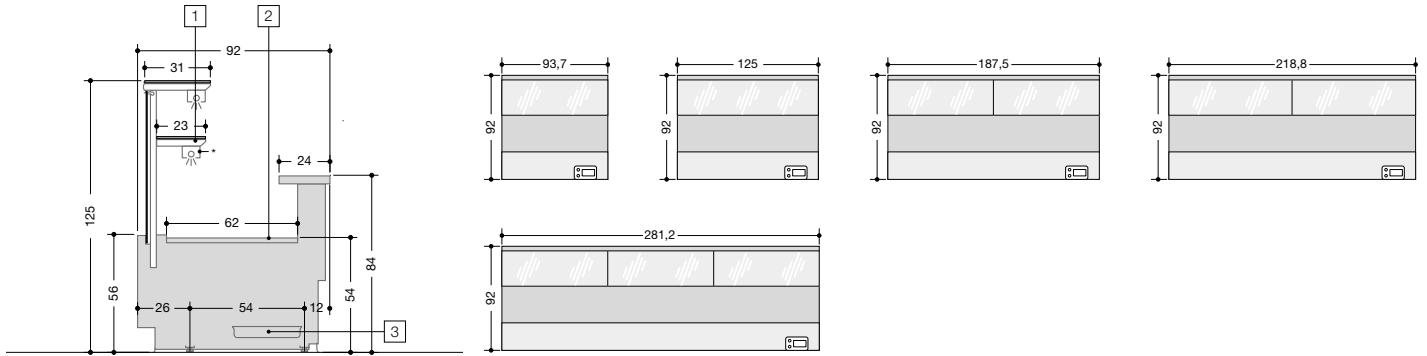
Control: electronic

Average refrigerating power (evaporation -10 °C):
300 W per linear meter

	L	93,7	187,5	281,2
		320	620	930
		ø 40	ø 40	ø 40
		ø 6-12	ø 6-12	ø 6-12
		0,74	1,48	2,22
		1	2 (93,7)	3 (93,7)
		1	1	2
		230-1-50	230-1-50	230-1-50
		490W	770W	1300W
		60W	120W	120W
		1 x 21W (87)	2 x 21W (87)	1 x 28W (117) 1 x 35W (147)
		571	932	1480
	*	1 x 21W (87)	2 x 21W (87)	1 x 28W (117) 1 x 35W (147)
	*	225W	450W	840W

L = Length without endwalls

* Optional



ESPRIT ES310



Not-refrigerated.

1. Top shelf without refrigeration - shelf lighting. *
2. Display surface made of bleached oak laminate.
3. Tray for collecting breadcrumbs.

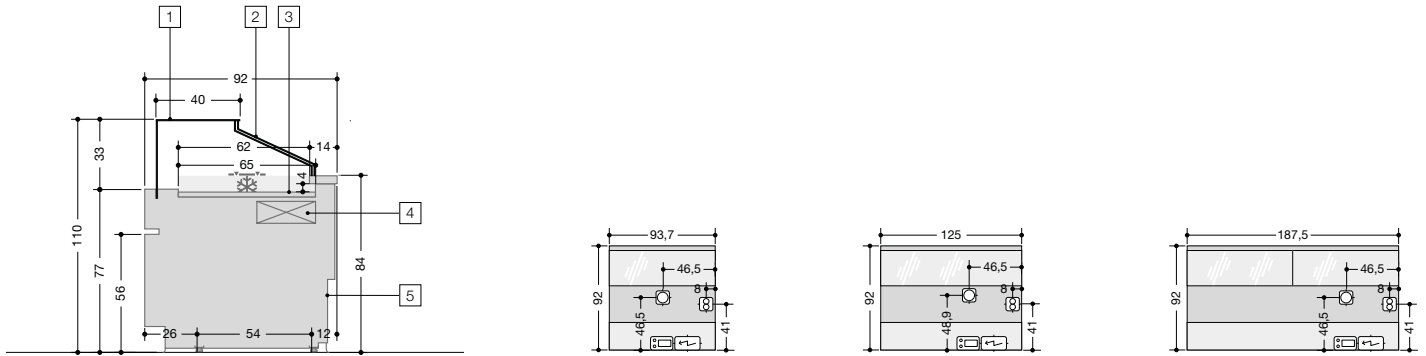
Display surface: 0,62 m² per linear meter

Lighting: fluorescent tube with white light (colour 830)

Reactor: electronic

	L	93,7	125	187,5	218,8	281,2
		0,62	0,83	1,25	1,46	1,88
		1	1	2 (93,7)	2 (109,4)	3 (93,7)
		1	1	1	2	2
		1 x 21W (87)	1 x 28W (117)	2 x 21W (87)	1 x 21W (87) 1 x 28W (117)	1 x 28W (117) 1 x 35W (147)
		21	28	42	49	63
	*	1 x 21W (87)	1 x 28W (117)	2 x 21W (87)	1 x 21W (87) 1 x 28W (117)	1 x 28W (117) 1 x 35W (147)

L = Length without endwalls



ESPRIT ES340



Chocolate.

1. Square superstructure with fixed glass.
2. Sliding closure of access to the platen operator side
3. Refrigerated cabine for choccolate.
4. Ventilated refrigeration with evaporator handled in anti-corrosion cataphoresis.
5. Control panel with humidity control for choccolate preservation.

Operating temperature: 16°

Climatic class (EN441): 3

Type of refrigeration: ventilated

Defrosting: compressor stop (resistor *)

Display surface: 0,65 m² per linear meter

Evaporator: cataphoresis treated

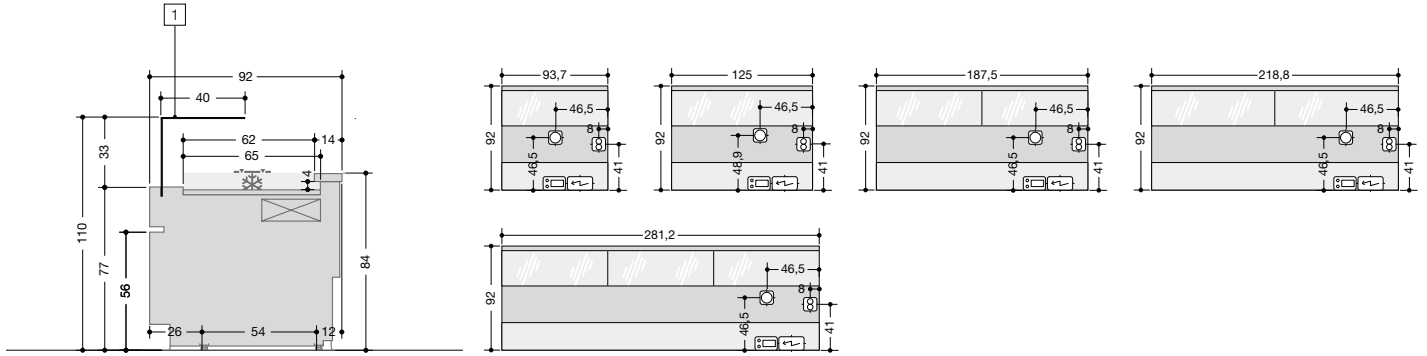
Control: electronic

Average refrigerating power (evaporation -10 °C):
300 W per linear meter

	L	93,7	125	187,5
		0,62	0,83	1,25
		1	1	2 (93,7)
		1	1	1
		230-1-50	230-1-50	230-1-50
		490W	600W	770W
		60W	60W	120W
		550	660	890

L = Length without endwalls

* Optional



ESPRIT ES350



Pastry.

1. Square superstructure with fixed glass.

Operating temperature: 3°/+5°

Climatic class (EN441): 3

Temperature class: M2

Type of refrigeration: ventilated

Defrosting: compressor stop (resistor *)

Display surface: 0,65 m² per linear meter

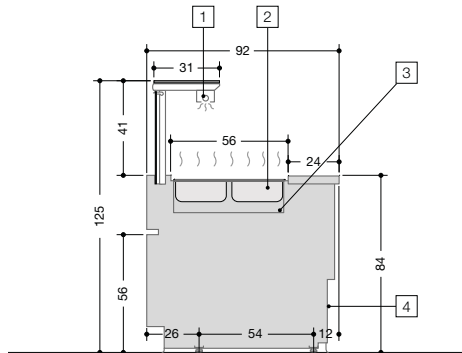
Evaporator: cataphoresis treated

Control: electronic

Average refrigerating power (evaporation -10 °C):
300 W per linear meter

	L	93,7	125	187,5	218,8	281,2
		320	430	620	730	930
		ø 40	ø 40	ø 40	ø 40	ø 40
		ø 6-12	ø 6-12	ø 6-12	ø 6-12	ø 6-12
		0,62	0,83	1,25	1,46	1,88
		1	1	2	2	3
		1	1	1	2	2
		230-1-50	230-1-50	230-1-50	230-1-50	230-1-50
		490W	600W	770W	900W	1300W
		60W	60W	120W	120W	120W
		550	660	890	1020	1420
	*	225W	350W	450W	600W	840W

L = Length without endwalls



ESPRIT ES400



Hot, Bain-Marie.

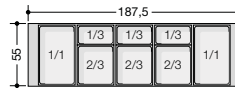
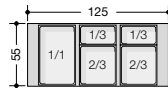
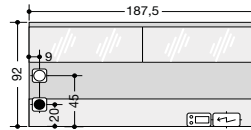
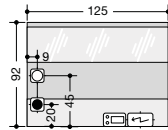
1. Heating lamp.
2. Food tray heating in bain-marie.
3. Electronic floater for water filling.
4. Control panel with power control for hot section and heating lamp.

Operating temperature: 70°

Display surface: gastronorm trays h=100 mm

Lighting: infrared lamp

Control: electromechanical

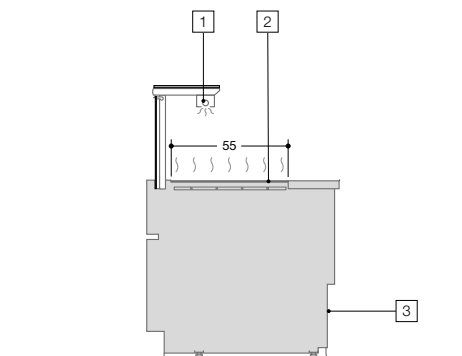


L	125	187,5
	ø 40	ø 40
	ø 3/4 inches - female	ø 3/4 inches - female
	1	2 (93,7)
	1	1
	400-3-50	400-3-50
	4000W	4000W
	1 x 2000W	1 x 2000W
	6000	6000

L = Length without endwalls

Dimensions and structure of gastronorm trays:

1/1	1/3	2/3
32,5 x 53	32,5 x 17,6	32,5 x 35,4
h 10	h 10	h 10



ESPRIT ES410



Dry Hot.

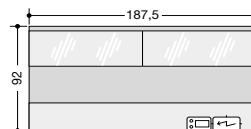
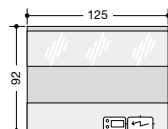
1. Heating lamp.
2. Heated plate.
3. Control panel with power control for hot section and heating lamp.

Operating temperature: 70°

Display surface: 0,55m² per linear meter

Lighting: infrared lamp

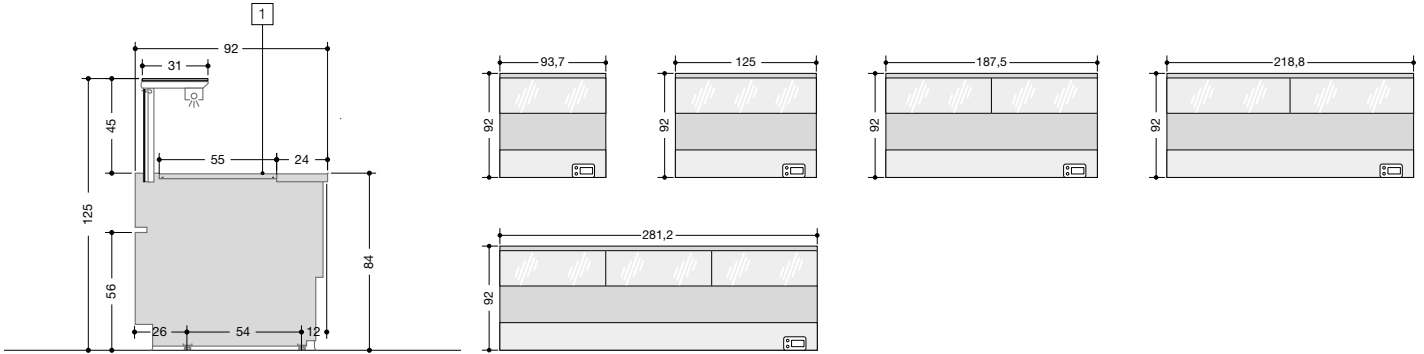
Control: electromechanical



L	125	187,5
	1	2 (93,7)
	1	1
	400-3-50	400-3-50
	1320W	1880W
	1 x 2000W	1 x 2000W
	3320	3880

L = Length without endwalls

ESPRIT



ESPRIT ES600

Not-refrigerated.

1. AISI 304 stainless steel surface.

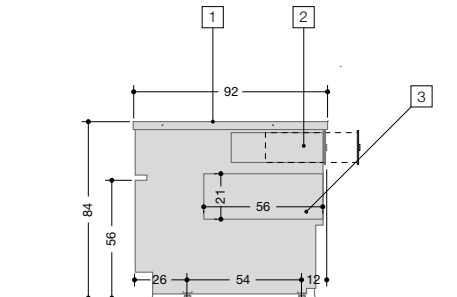
Display surface: 0,55 m² per linear meter

Lighting: fluorescent tube with white light (colour 830)

Reactor: electronic

L	93,7	125	187,5	218,8	281,2
	0,5	0,68	1	1,2	1,54
	1	1	2 (93,7)	2 (109,4)	3 (93,7)
	1 x 21W (87)	1 x 28W (117)	2 x 21W (87)	1 x 21W (87) 1 x 28W (117)	1 x 28W (117) 1 x 35W (147)
	21	28	42	49	63

L = Length without endwalls



ESPRIT

Service Point.

1. Scratchproof AISI 304 stainless steel surface.
2. Money drawer with key.
3. Rear shelf.

LINEAR SECTION

Length without endwalls: 62,5 - 93,7