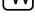


<b>SIMBOLI</b>	<b>SYMBOLS</b>	<b>SYMBOLES</b>	<b>SYMBOLE</b>	
	Lunghezza dell'elemento (cm)	Cabinet length (cm)	Longueur du meuble (cm)	Thekenlänge (cm)
	Carico massimo (kg x mt)	Maximum load (kg x mt)	Charge maximale (kg x mt)	Belastungsstrom maximal (kg x mt)
	Quadro elettrico	Electric panel	Tableau électrique	Schaltkasten
	Controllo	Control panel	Tableau de contrôle	Steuerung
	Tubi gas: ø (mm)	Gas pipes: ø (mm)	Tuyaux de gaz: ø (mm)	Gasröhre: ø (mm)
	Scarico H <sub>2</sub> O: ø (mm)	Water drain: ø (mm)	Écoulement d'eaux: ø (mm)	Wasserablauf: ø (mm)
	Attacco entrata H <sub>2</sub> O (femmina)	Access of water inlet (female)	Branchement entrée de l'eau (femelle)	Wassereinlaufanschluss (Weiblich)
	Potenza frigorifera (W) evaporazione -10°	Refrigeration capacity (W) evaporation -10°	Capacité frigorifique (W) évaporation -10°	Kälteleistung (W) Verdunstung -10°
	Assorbimento totale (W) optional esclusi	Current, no group (W)	Actuelle, aucun groupe (W)	Strom, keine Gruppe (W)
	Gruppo frigorifero (W)	Cooling unit (W)	Groupe frigorifique (W)	Kühlaggregat (W)
	Ventilatori (W)	Ventilators (W)	Ventilateurs (W)	Lüfter (W)
	Resistenza antiappannante (W)	Antifogging resistor (W)	Resistance antidésembuage (W)	Anti-Beschlag Widerstand (W)
	Resistenza sbrinamento (W)	Defrosting resistor (W)	Resistance de dégivrage (W)	Abtauungswiderstand (W)
	Tensione elettrica (V)	Voltage supply (V)	Tension d'alimentation (V)	Spannungsversorgung (V)
	Illuminazione tubo fluorescente ø 16 mm (W)	Fluorescent tube Lighting ø 16 mm (W)	Éclairage tube fluorescent ø 16 mm (W)	Beleuchtung Leuchtröhre ø 16 mm (W)
	Luce mensola intermedia (W)	Lighting intermediate shelf (W)	Éclairage étagère intermédiaire (W)	Zwischenlampenbeleuchtung (W)
	Illuminazione tubo fluorescente ø 32 mm (W)	Fluorescent tube Lighting ø 32 mm (W)	Éclairage tube fluorescent ø 32 mm (W)	Beleuchtung Leuchtröhre ø 32 mm (W)
	Luce mensola intermedia (W)	Lighting intermediate shelf (W)	Éclairage étagère intermédiaire (W)	Zwischenlampenbeleuchtung (W)
	Illuminazione a LED (W)	LEDs lighting (W)	Éclairage LEDs (W)	LED-Beleuchtung (W)
	Luce mensola intermedia a LED (W)	Intermediate shelf LEDs light (W)	Éclairage étagère intermédiaire LEDs (W)	Zwischenboden LED-Beleuchtung (W)
	Illuminazione frontale a LED (W)	Front LEDs Lighting (W)	Éclairage frontal aux LEDs (W)	LED frontbeleuchtung (W)
	Illuminazione DULUX tubo fluorescente compatto (W)	DULUX compact fluorescent tube lighting (W)	DULUX compacte éclairage tubes fluorescents (W)	DULUX Kompakt-Leuchtstofflampe Beleuchtung (W)w
	Lampada riscaldante (W)	Heating lamp (W)	Lampe réchauffante (W)	Erhitzende Lampe (W)
	Superficie espositiva (m <sup>2</sup> )	Display surface (m <sup>2</sup> )	Surface d'exposition (m <sup>2</sup> )	Auslagefläche (m <sup>2</sup> )
	Vetri: quantità	Glasses: quantity	Glaces: quantité	Glasscheiben: Menge
	Vetri fissi (non apribili): quantità	Fixed windows (do not open): quantity	Fenêtres fixes (ne s'ouvre pas): quantité	Feste Fenster (nicht offen): Menge
	Portacarta: quantità	Paper holder: quantity	Porte-papier: quantité	Papiertaschen: Menge
	Riserva frigorifera (dm <sup>3</sup> )	Refrigerated storage (dm <sup>3</sup> )	Réserve réfrigérée (dm <sup>3</sup> )	Kühlreserve (dm <sup>3</sup> )
	Resistenza bagnacalda (W)	Resistor (W)	Résistance (W)	Widerstand (W)
	Resistenza piano riscaldato (W)	Resistor of heated surface (W)	Résistance surface réchauffée (W)	Widerstand der beheizten Ausstellfläche (W)

Le caratteristiche tecniche potranno subire modifiche senza preavviso.

Technical details could be changed without notice.

Les caractéristiques techniques pourraient subir des modifications sans préavis.

Änderungen vorbehalten.

► "PRÊT À MANGER, FAST FOOD, FRESH FOOD

Gamma completa di banchi standard per soddisfare i nuovi approcci e tendenze della ristorazione veloce.

► PRÊT À MANGER, FAST FOOD, FRESH FOOD

Complete range of standard cabinets to satisfy new approaches and trends of fast-food sector.

► PRÊT À MANGER, FAST FOOD, FRESH FOOD

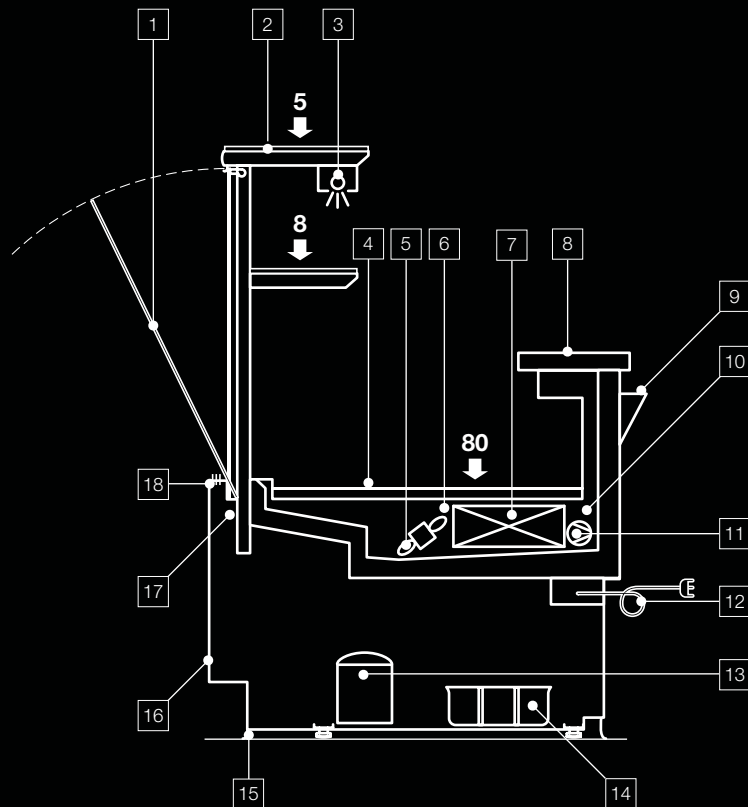
Gamme complète de vitrine standard pour satisfaire les nouvelles approches et tendances du domaine du prêt-à-manger.

► PRÊT À MANGER, FAST FOOD, FRESH FOOD

Vollständige Palette von Standardvitrinen zur Befriedigung der neuen Methoden und Tendenzen des Schnelllebensbereichs.

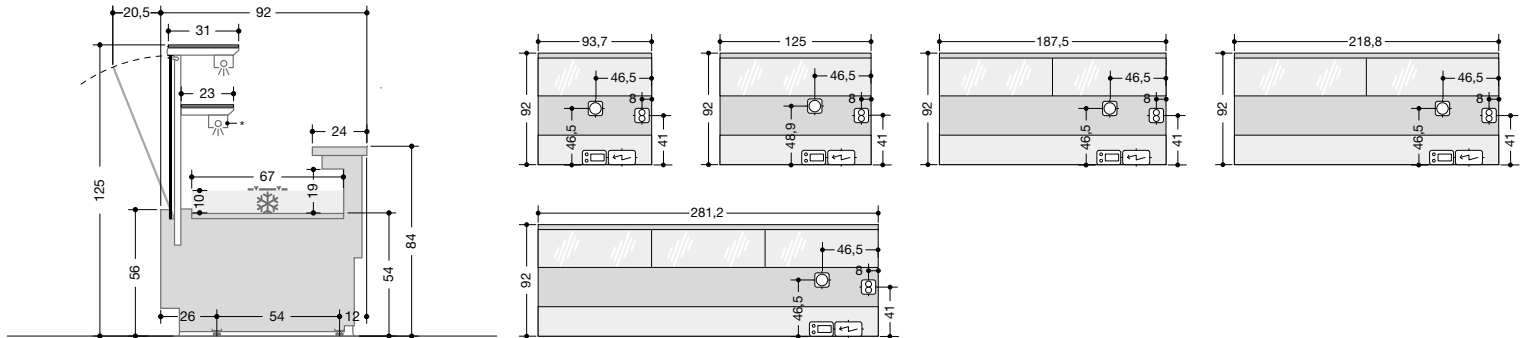






## CABINET FEATURES

1. Straight glass structure with downwards glasses.
2. Fixed glass top surface.
3. Lighting: fluorescent tube with Osram warm white 830 light. (p)
4. AISI 304 stainless steel display surface.
5. Ventilated refrigeration with potentiometer to adjust air flow rate.
6. AISI 304 stainless steel unit interior.
7. Evaporator treated with cataphoresis.
8. Working board in stainless steel scratchproof.
9. Paper-holder.
10. Ventilated defrosting with compressor block.
11. R404a thermostatic refrigeration valve. (p)
12. Cabinet without refrigeration unit: binding clamp.
13. Cabinet with refrigeration unit: control panel.
14. Condensing water collection tank. \*
15. Front and rear bumper skirting.
16. Customizable front panel - see colour chart. (p)
17. Multiplexable.
18. Anti-fogging front ventilation.



## ESPRIT ES200



### Sandwich.

Operating temperature: 3°/+5°

Climatic class (EN441): 3

Temperature class: M2

Type of refrigeration: ventilated

Defrosting: compressor stop (resistor \*)

Display surface: 0,67 m<sup>2</sup> per linear meter

Evaporator: cataphoresis treated

Lighting: fluorescent tube with white light (colour 830)

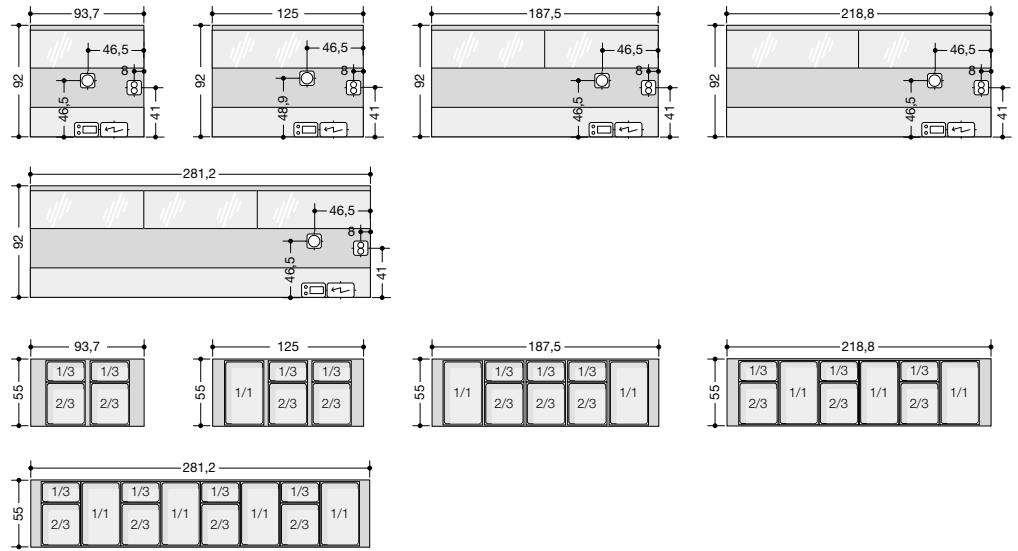
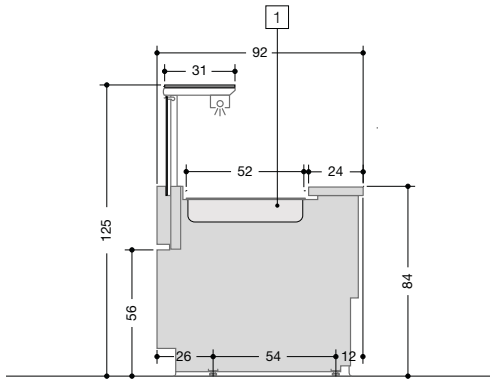
Reactor: electronic

Control: electronic

Average refrigerating power (evaporation -10 °C):  
300 W per linear meter

	L	93,7	125	187,5	218,8	281,2
		320	430	620	730	930
		ø 40	ø 40	ø 40	ø 40	ø 40
		ø 6-12	ø 6-12	ø 6-12	ø 6-12	ø 6-12
		0,62	0,83	1,25	1,46	1,88
		1	1	2 (93,7)	2 (109,4)	3 (93,7)
		1	1	1	2	2
		230-1-50	230-1-50	230-1-50	230-1-50	230-1-50
		490W	600W	770W	900W	1300W
		60W	60W	120W	120W	120W
		1 x 21W (87)	1 x 28W (117)	2 x 21W (87)	1 x 21W (87) 1 x 28W (117)	1 x 28W (117) 1 x 35W (147)
		571	688	932	1062	1480
	*	1 x 21W (87)	1 x 28W (117)	2 x 21W (87)	1 x 21W (87) 1 x 28W (117)	1 x 28W (117) 1 x 35W (147)
	*	225W	350W	450W	600W	840W

L = Length without endwalls



## ESPRIT ES210



### Salad Bar.

1. Food tray.

Operating temperature: 4°+6°

Climatic class (EN441): 3

Temperature class: H1

Type of refrigeration: ventilated

Defrosting: compressor stop (resistor \*)

Evaporator: cataphoresis treated

Display surface: gastronorm trays h=100 mm

Lighting: fluorescent tube with white light (colour 830)

Reactor: electronic

Control: electronic

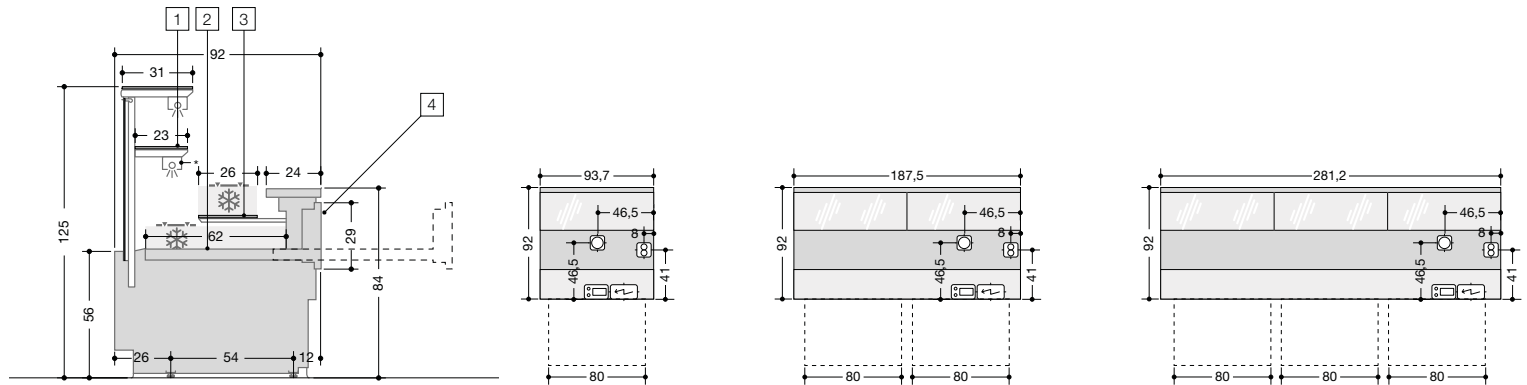
Average refrigerating power (evaporation -10 °C):  
300 W per linear meter

### Dimensions and structure of gastronorm trays:

1/1	1/3	2/3
32,5 x 53	32,5 x 17,6	32,5 x 35,4
h 10	h 10	h 10

	L	93,7	125	187,5	218,8	281,2
		320	430	620	730	930
		ø 40	ø 40	ø 40	ø 40	ø 40
		ø 6-12	ø 6-12	ø 6-12	ø 6-12	ø 6-12
		1	1	2 (93,7)	2 (109,4)	3 (93,7)
		1	1	1	2	2
		230-1-50	230-1-50	230-1-50	230-1-50	230-1-50
		490W	600W	770W	900W	1300W
		60W	60W	120W	120W	120W
		1 x 21W (87)	1 x 28W (117)	2 x 21W (87)	1 x 21W (87) 1 x 28W (117)	1 x 28W (117) 1 x 35W (147)
		571	688	932	1062	1480
	*	225W	350W	450W	600W	840W

L = Length without endwalls



## ESPRIT ES300



### Pastry.

1. Top shelf without refrigeration - shelf lighting. \*
2. Cream-colour painted interior.
3. Refrigerated shelf.
4. Removable refrigeration drawer.

Operating temperature: 4°/+6°

Climatic class (EN441): 3

Temperature class: H1

Type of refrigeration: ventilated

Defrosting: compressor stop (resistor \*)

Display surface: 0,88 m<sup>2</sup> per linear meter

Evaporator: cataphoresis treated

Lighting: fluorescent tube with white light (colour 830)

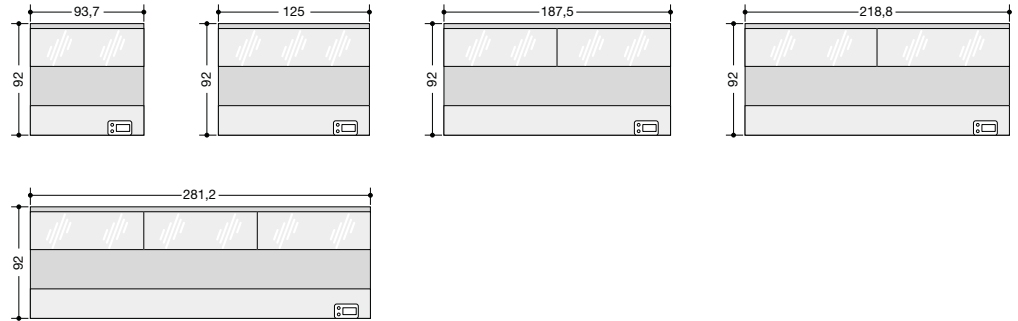
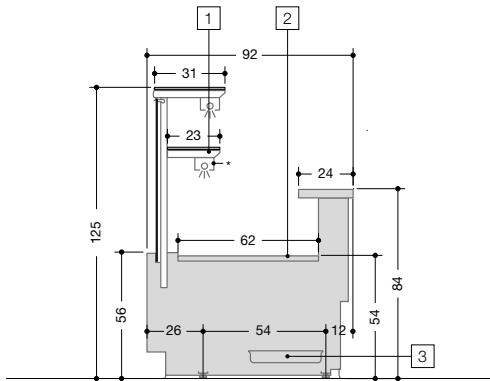
Reactor: electronic

Control: electronic

Average refrigerating power (evaporation -10 °C):  
300 W per linear meter

	L	93,7	187,5	281,2
		320	620	930
		ø 40	ø 40	ø 40
		ø 6-12	ø 6-12	ø 6-12
		0,74	1,48	2,22
		1	2 (93,7)	3 (93,7)
		1	1	2
		230-1-50	230-1-50	230-1-50
		490W	770W	1300W
		60W	120W	120W
		1 x 21W (87)	2 x 21W (87)	1 x 28W (117) 1 x 35W (147)
		571	932	1480
*		1 x 21W (87)	2 x 21W (87)	1 x 28W (117) 1 x 35W (147)
*		225W	450W	840W

L = Length without endwalls



## ESPRIT ES310



### Not-refrigerated.

1. Top shelf without refrigeration - shelf lighting. \*
2. Display surface made of bleached oak laminate.
3. Tray for collecting breadcrumbs.

Display surface: 0,62 m<sup>2</sup> per linear meter

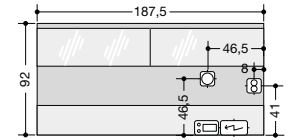
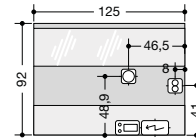
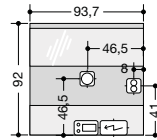
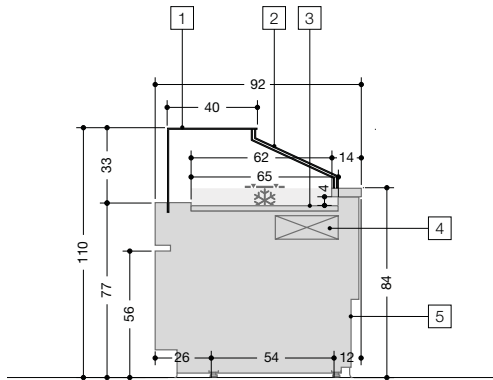
Lighting: fluorescent tube with white light (colour 830)

Reactor: electronic

L	93,7	125	187,5	218,8	281,2
	0,62	0,83	1,25	1,46	1,88
	1	1	2 (93,7)	2 (109,4)	3 (93,7)
	1	1	1	2	2
	1 x 21W (87)	1 x 28W (117)	2 x 21W (87)	1 x 21W (87) 1 x 28W (117)	1 x 28W (117) 1 x 35W (147)
	21	28	42	49	63
*	1 x 21W (87)	1 x 28W (117)	2 x 21W (87)	1 x 21W (87) 1 x 28W (117)	1 x 28W (117) 1 x 35W (147)

L = Length without endwalls





## ESPRIT ES340



### Chocolate.

1. Square superstructure with fixed glass.
2. Sliding closure of access to the platen operator side
3. Refrigerated cabine for choccolate.
4. Ventilated refrigeration with evaporator handled in anti-corrosion cataphoresis.
5. Control panel with humidity control for choccolate preservation.

Operating temperature: 16°

Climatic class (EN441): 3

Type of refrigeration: ventilated

Defrosting: compressor stop (resistor \*)

Display surface: 0,65 m<sup>2</sup> per linear meter

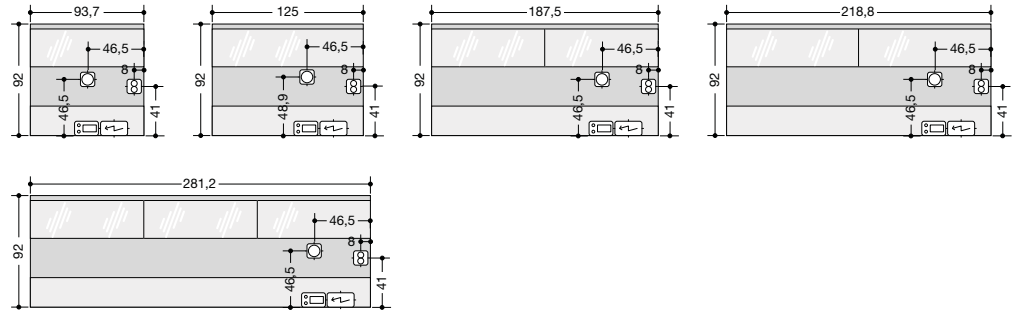
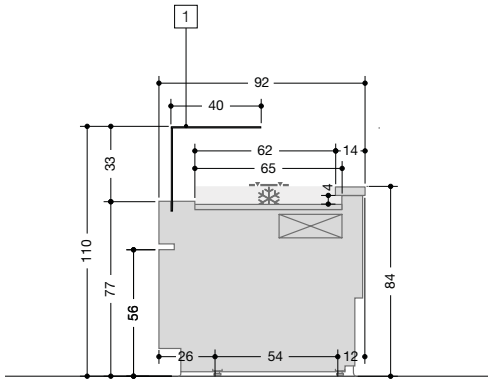
Evaporator: cataphoresis treated

Control: electronic

Average refrigerating power (evaporation -10 °C):  
300 W per linear meter

	L	93,7	125	187,5
		0,62	0,83	1,25
		1	1	2 (93,7)
		1	1	1
		230-1-50	230-1-50	230-1-50
		490W	600W	770W
		60W	60W	120W
		550	660	890

L = Length without endwalls



## ESPRIT ES350



### Pastry.

1. Square superstructure with fixed glass.

Operating temperature: 3°/+5°

Climatic class (EN441): 3

Temperature class: M2

Type of refrigeration: ventilated

Defrosting: compressor stop (resistor \*)

Display surface: 0,65 m<sup>2</sup> per linear meter

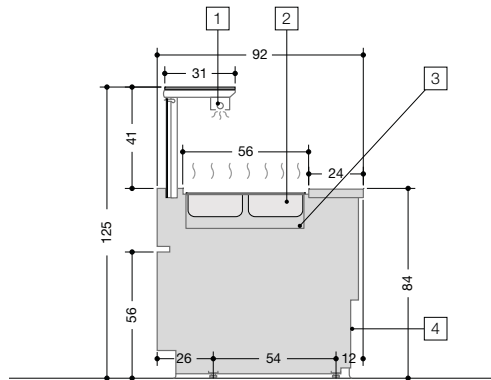
Evaporator: cataphoresis treated

Control: electronic

Average refrigerating power (evaporation -10 °C):  
300 W per linear meter

	L	93,7	125	187,5	218,8	281,2
		320	430	620	730	930
		ø 40	ø 40	ø 40	ø 40	ø 40
		ø 6-12	ø 6-12	ø 6-12	ø 6-12	ø 6-12
		0,62	0,83	1,25	1,46	1,88
		1	1	2	2	3
		1	1	1	2	2
		230-1-50	230-1-50	230-1-50	230-1-50	230-1-50
		490W	600W	770W	900W	1300W
		60W	60W	120W	120W	120W
		550	660	890	1020	1420
	*	225W	350W	450W	600W	840W

L = Length without endwalls



## ESPRIT ES400



### Hot, Bain-Marie.

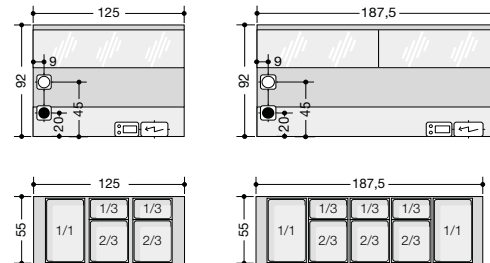
1. Heating lamp.
2. Food tray heating in bain-marie.
3. Electronic floater for water filling.
4. Control panel with power control for hot section and heating lamp.

Operating temperature: 70°

Display surface: gastronorm trays h=100 mm

Lighting: infrared lamp

Control: electromechanical

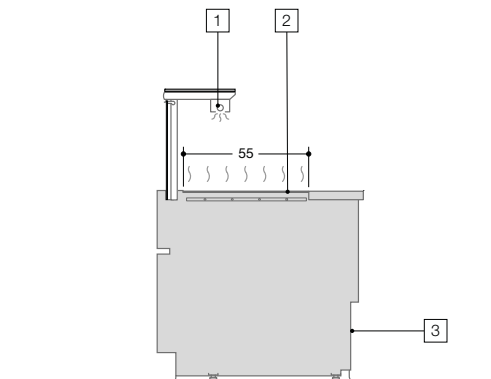


L	125	187,5
	ø 40	ø 40
	ø 3/4 inches - female	ø 3/4 inches - female
	1	2 (93,7)
	1	1
	400-3-50	400-3-50
	4000W	4000W
	1 x 2000W	1 x 2000W
	6000	6000

L = Length without endwalls

### Dimensions and structure of gastronorm trays:

1/1	1/3	2/3
32,5 x 53	32,5 x 17,6	32,5 x 35,4
h 10	h 10	h 10



## ESPRIT ES410



### Dry Hot.

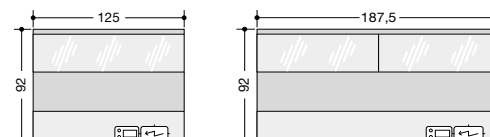
1. Heating lamp.
2. Heated plate.
3. Control panel with power control for hot section and heating lamp.

Operating temperature: 70°

Display surface: 0,55m² per linear meter

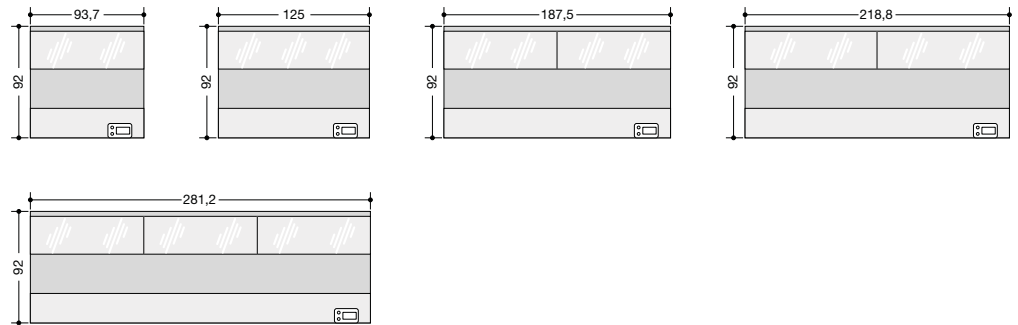
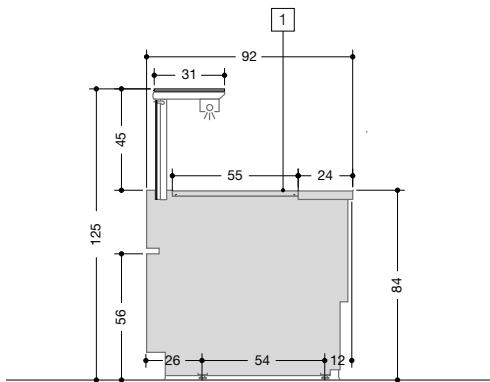
Lighting: infrared lamp

Control: electromechanical



L	125	187,5
	1	2 (93,7)
	1	1
	400-3-50	400-3-50
	1320W	1880W
	1 x 2000W	1 x 2000W
	3320	3880

L = Length without endwalls



## ESPRIT ES600

### Not-refrigerated.

1. AISI 304 stainless steel surface.

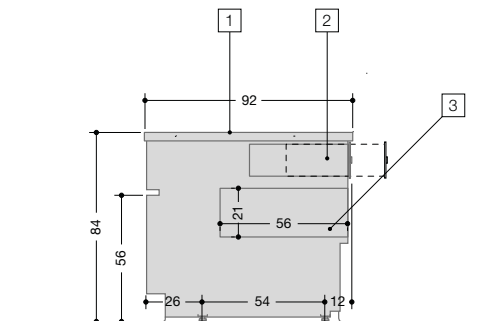
Display surface: 0,55 m<sup>2</sup> per linear meter

Lighting: fluorescent tube with white light (colour 830)

Reactor: electronic

L	93,7	125	187,5	218,8	281,2
	0,5	0,68	1	1,2	1,54
	1	1	2 (93,7)	2 (109,4)	3 (93,7)
	1 x 21W (87)	1 x 28W (117)	2 x 21W (87)	1 x 21W (87) 1 x 28W (117)	1 x 28W (117) 1 x 35W (147)
	21	28	42	49	63

L = Length without endwalls



## ESPRIT

### Service Point.

1. Scratchproof AISI 304 stainless steel surface.
2. Money drawer with key.
3. Rear shelf.

### LINEAR SECTION

Length without endwalls: 62,5 - 93,7