

<b>SIMBOLI</b>	<b>SYMBOLS</b>	<b>SYMBOLES</b>	<b>SYMBOLE</b>	
	Lunghezza dell'elemento (cm)	Cabinet length (cm)	Longueur du meuble (cm)	Thekenlänge (cm)
	Carico massimo (kg x mt)	Maximum load (kg x mt)	Charge maximale (kg x mt)	Belastungsstrom maximal (kg x mt)
	Quadro elettrico	Electric panel	Tableau électrique	Schaltkasten
	Controllo	Control panel	Tableau de contrôle	Steuerung
	Tubi gas: ø (mm)	Gas pipes: ø (mm)	Tuyaux de gaz: ø (mm)	Gasröhre: ø (mm)
	Scarico H <sub>2</sub> O: ø (mm)	Water drain: ø (mm)	Écoulement d'eaux: ø (mm)	Wasserablauf: ø (mm)
	Attacco entrata H <sub>2</sub> O (femmina)	Access of water inlet (female)	Branchement entrée de l'eau (femelle)	Wassereinlaufanschluss (Weiblich)
	Potenza frigorifera (W) evaporazione -10°	Refrigeration capacity (W) evaporation -10°	Capacité frigorifique (W) évaporation -10°	Kälteleistung (W) Verdunstung -10°
	Assorbimento totale (W) optional esclusi	Current, no group (W)	Actuelle, aucun groupe (W)	Strom, keine Gruppe (W)
	Gruppo frigorifero (W)	Cooling unit (W)	Groupe frigorifique (W)	Kühlaggregat (W)
	Ventilatori (W)	Ventilators (W)	Ventilateurs (W)	Lüfter (W)
	Resistenza antiappannante (W)	Antifogging resistor (W)	Resistance antidésembuage (W)	Anti-Beschlag Widerstand (W)
	Resistenza sbrinamento (W)	Defrosting resistor (W)	Resistance de dégivrage (W)	Abtauungswiderstand (W)
	Tensione elettrica (V)	Voltage supply (V)	Tension d'alimentation (V)	Spannungsversorgung (V)
	Illuminazione tubo fluorescente ø 16 mm (W)	Fluorescent tube Lighting ø 16 mm (W)	Éclairage tube fluorescent ø 16 mm (W)	Beleuchtung Leuchtröhre ø 16 mm (W)
	Luce mensola intermedia (W)	Lighting intermediate shelf (W)	Éclairage étagère intermédiaire (W)	Zwischenlampenbeleuchtung (W)
	Illuminazione tubo fluorescente ø 32 mm (W)	Fluorescent tube Lighting ø 32 mm (W)	Éclairage tube fluorescent ø 32 mm (W)	Beleuchtung Leuchtröhre ø 32 mm (W)
	Luce mensola intermedia (W)	Lighting intermediate shelf (W)	Éclairage étagère intermédiaire (W)	Zwischenlampenbeleuchtung (W)
	Illuminazione a LED (W)	LEDs lighting (W)	Éclairage LEDs (W)	LED-Beleuchtung (W)
	Luce mensola intermedia a LED (W)	Intermediate shelf LEDs light (W)	Éclairage étagère intermédiaire LEDs (W)	Zwischenboden LED-Beleuchtung (W)
	Illuminazione frontale a LED (W)	Front LEDs Lighting (W)	Éclairage frontal aux LEDs (W)	LED frontbeleuchtung (W)
	Illuminazione DULUX tubo fluorescente compatto (W)	DULUX compact fluorescent tube lighting (W)	DULUX compacte éclairage tubes fluorescents (W)	DULUX Kompakt-Leuchtstofflampe Beleuchtung (W)w
	Lampada riscaldante (W)	Heating lamp (W)	Lampe réchauffante (W)	Erhitzende Lampe (W)
	Superficie espositiva (m <sup>2</sup> )	Display surface (m <sup>2</sup> )	Surface d'exposition (m <sup>2</sup> )	Auslagefläche (m <sup>2</sup> )
	Vetri: quantità	Glasses: quantity	Glaces: quantité	Glasscheiben: Menge
	Vetri fissi (non apribili): quantità	Fixed windows (do not open): quantity	Fenêtres fixes (ne s'ouvre pas): quantité	Feste Fenster (nicht offen): Menge
	Portacarta: quantità	Paper holder: quantity	Porte-papier: quantité	Papiertaschen: Menge
	Riserva frigorifera (dm <sup>3</sup> )	Refrigerated storage (dm <sup>3</sup> )	Réserve réfrigérée (dm <sup>3</sup> )	Kühlreserve (dm <sup>3</sup> )
	Resistenza bagnacalda (W)	Resistor (W)	Résistance (W)	Widerstand (W)
	Resistenza piano riscaldato (W)	Resistor of heated surface (W)	Résistance surface réchauffée (W)	Widerstand der beheizten Ausstellfläche (W)

Le caratteristiche tecniche potranno subire modifiche senza preavviso.

Technical details could be changed without notice.

Les caractéristiques techniques pourraient subir des modifications sans préavis.

Änderungen vorbehalten.

► INTENSE EMOZIONI

Ci accontentiamo di prodotti convenzionali o siamo alla ricerca di prodotti che esprimano sensazioni? Electa nasce con forme espressive, dinamiche, che coinvolgono emotivamente e si distinguono dalle convenzioni.

► INTENSE EMOTIONS

Are we satisfied with conventional products or are we looking for products that move our souls? Electa was born with expressive, dynamic forms, raising emotions. Far away from standard conventions!

► ÉMOTIONS INTENSES

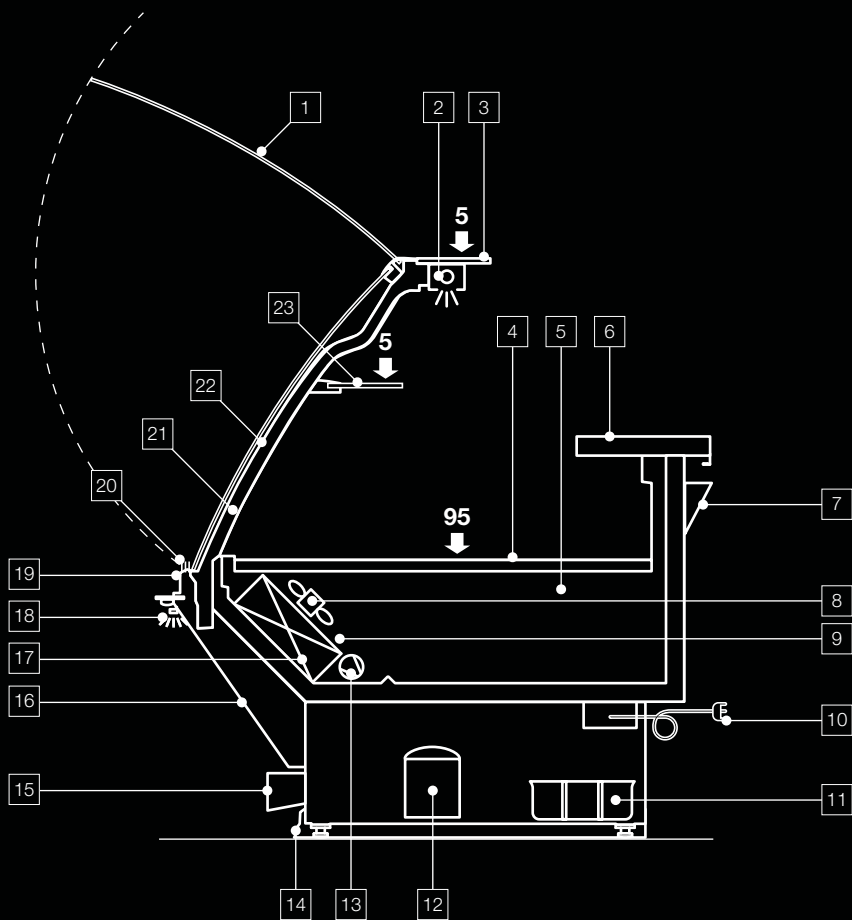
Nous nous contentons de produits conventionnels ou nous sommes à la recherche de produits qu'ils expriment sensations? Electa est née avec des formes expressives, dynamiques, lesquelles entraînent émotionnellement et qui se distinguent des conventions!

► INTENSIVE EMOTIONEN

Sind wir mit herkömmlichen Produkten zufrieden, oder sind wir zur Suche von Produkten die Gefühle ausdrücken? Electa ist mit ausdrucksvollen Formen und Dynamik geboren, die emotional beteuert sind und die sich von den Konventionen unterscheiden!.

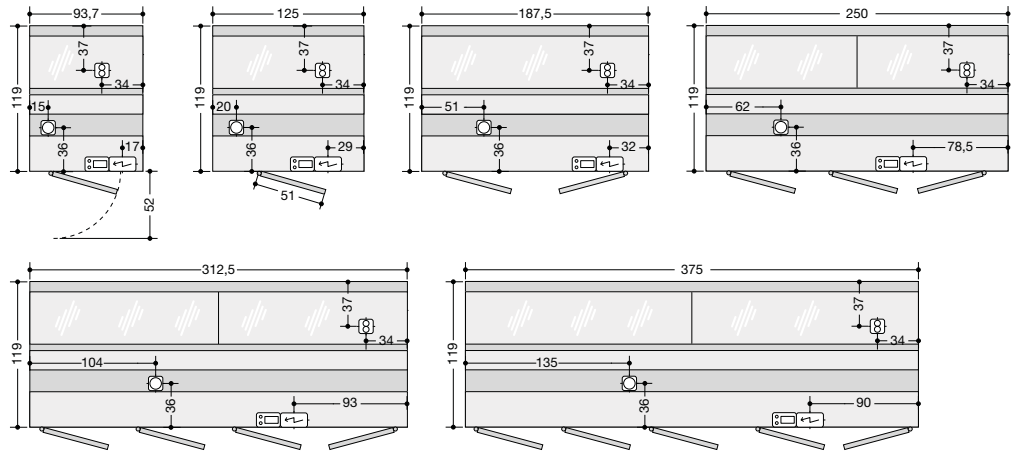
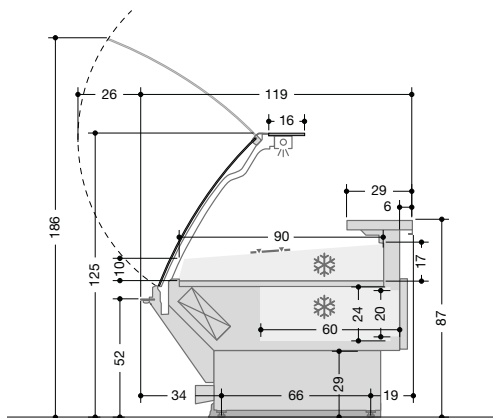






## CABINET FEATURES

1. Lift-up glass.
2. Lighting: fluorescent tube with Osram warm white 830 light. (p)
3. Fixed 16 cm glass top surface.
4. AISI 304 stainless steel display surface.
5. AISI 304 stainless steel unit interior.
6. Working board in stainless steel scratchproof.
7. Stainless-steel paper-holder.
8. Ventilated refrigeration with potentiometer to adjust air flow rate.
9. Ventilated defrosting with compressor block.
10. Cabinet without refrigeration unit: binding clamp.
11. Condensing water collection tank. \*
12. Cabinet with refrigeration unit: control panel.
13. R404a thermostatic refrigeration valve. (p)
14. Front and rear bumper skirting.
15. Front plint in stainless steel Scotch Brite.
16. Front panel customisable - see colour chart. (p)
17. Evaporator handled with cataphoresis (excludes EC300).
18. Front LED lighting. \*
19. Front stripe customisable - see colour chart. (p)
20. Anti-fogging front ventilation.
21. Multiplexable.
22. Spherical corners 90°-45° internal and external.
23. Intermediate glass shelf. \*



## ELECTA EC100



### Refrigerated, with refrigerated understorage.

Operating temperature: 3°/+5°

Climatic class (EN441): 3

Temperature class: M2

Type of refrigeration: ventilated

Defrosting: compressor stop (resistor \*)

Display surface: 0,9 m<sup>2</sup> per linear meter

Evaporator: cataphoresis treated

Lighting: fluorescent tube with white light (colour 830)

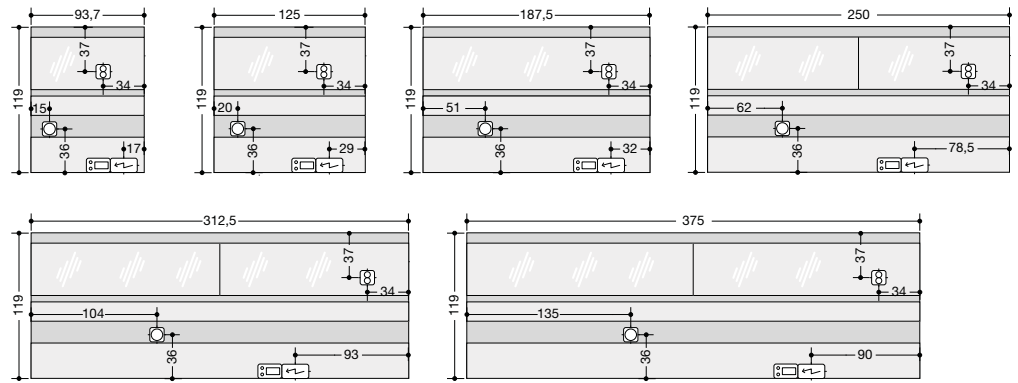
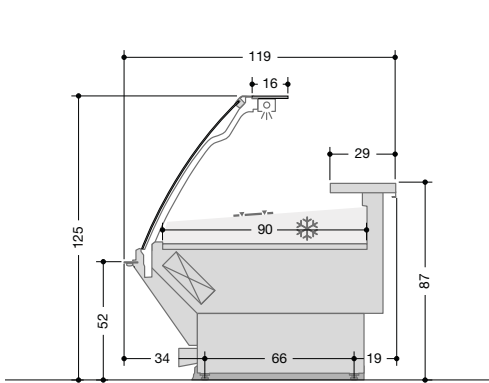
Reactor: electronic

Control: electronic

Average refrigerating power (evaporation -10 °C):  
300 W per linear meter

	L	93,7	125	187,5	250	312,5	375
		315	425	615	815	1010	1200
		ø 40	ø 40	ø 40	ø 40	ø 40	ø 40
		ø 6-12	ø 6-12	ø 6-12	ø 6-12	ø 6-12	ø 6-12
		102	139	213	286	360	432
		0,84	1,13	1,7	2,25	2,81	3,38
		1	1	1	2	2	2
		1	1	1	2	2	3
		230-1-50	230-1-50	230-1-50	230-1-50	230-1-50	230-1-50
		430W	430W	500W	590W	950W	950W
		60W	60W	120W	120W	180W	180W
		1 x 21W (87)	1 x 28W (117)	2 x 21W (87)	2 x 28W (117)	1 x 28W (117) 2 x 21W (87)	3 x 28W (117)
		508	522	678	778	1224	1234
	*	225W	300W	450W	600W	750W	900W
	*	11W	14W	21W	28W	34W	42W

L = Length without endwalls



## ELECTA EC200



### Refrigerated, without refrigerator compartments.

Operating temperature: 3°+5°

Climatic class (EN441): 3

Temperature class: M2

Type of refrigeration: ventilated

Defrosting: compressor stop (resistor \*)

Display surface: 0,9 m<sup>2</sup> per linear meter

Evaporator: cataphoresis treated

Lighting: fluorescent tube with white light (colour 830)

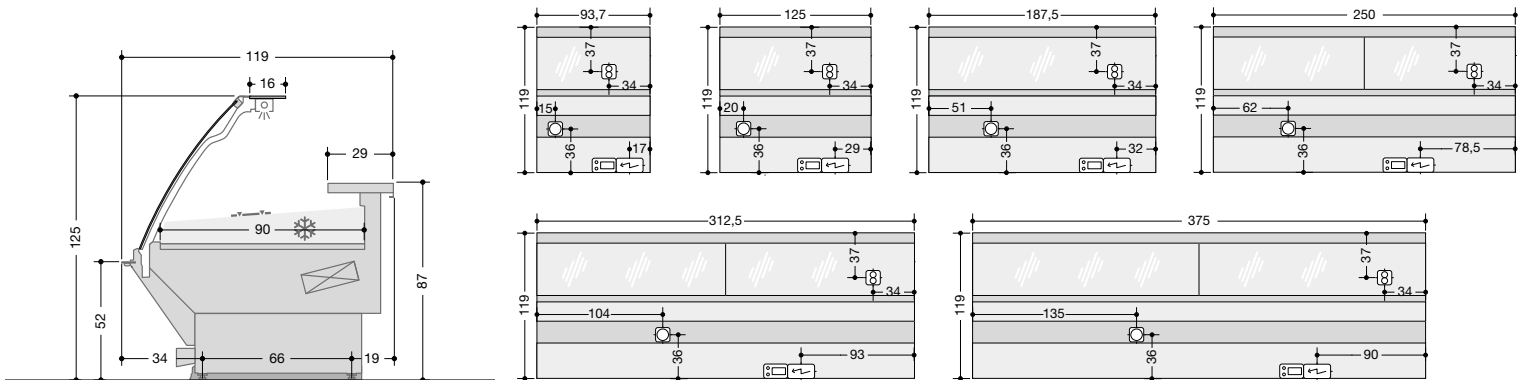
Reactor: electronic

Control: electronic

Average refrigerating power (evaporation -10 °C):  
300 W per linear meter

L	93,7	125	187,5	250	312,5	375
	315	425	615	815	1010	1200
	ø 40	ø 40	ø 40	ø 40	ø 40	ø 40
	ø 6-12	ø 6-12	ø 6-12	ø 6-12	ø 6-12	ø 6-12
	0,84	1,13	1,7	2,25	2,81	3,38
	1	1	1	2	2	2
	1	1	1	2	2	3
	230-1-50	230-1-50	230-1-50	230-1-50	230-1-50	230-1-50
	430W	430W	500W	590W	950W	950W
	60W	60W	120W	120W	180W	180W
	1 x 21W (87)	1 x 28W (117)	2 x 21W (87)	2 x 28W (117)	1 x 28W (117) 2 x 21W (87)	3 x 28W (117)
	511	418	662	766	1200	1214
	225W	300W	450W	600W	750W	900W
	11W	14W	21W	28W	34W	42W

L = Length without endwalls



## ELECTA EC250 M1



### Refrigerated, without refrigerator compartments.

Operating temperature: 3°/+5°

Climatic class (EN441): 3

Temperature class: M1

Type of refrigeration: ventilated

Defrosting: compressor stop (resistor \*)

Display surface: 0,9 m<sup>2</sup> per linear meter

Evaporator: cataphoresis treated

Lighting: fluorescent tube with white light (colour 830)

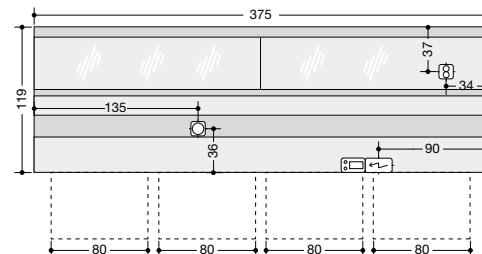
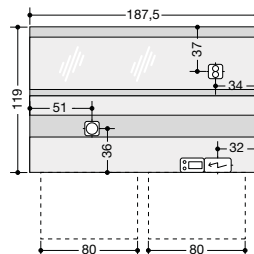
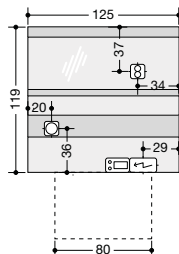
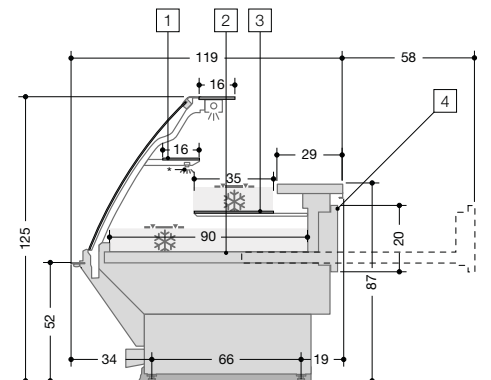
Reactor: electronic

Control: electronic

Average refrigerating power (evaporation -10 °C):  
360 W per linear meter

	L	93,7	125	187,5	250	312,5	375
❄️		360	450	675	900	1125	1350
⊙		ø 40	ø 40	ø 40	ø 40	ø 40	ø 40
⊙		ø 8-14	ø 8-14	ø 8-14	ø 8-14	ø 8-14	ø 8-14
△		0,84	1,13	1,7	2,25	2,81	3,38
▨		1	1	1	2	2	2
□		1	1	1	2	2	3
⚡		230-1-50	230-1-50	230-1-50	230-1-50	230-1-50	230-1-50
⏪		430W	430W	500W	590W	950W	950W
🌀		60W	60W	120W	120W	180W	180W
💡		1 x 21W (87)	1 x 28W (117)	2 x 21W (87)	2 x 28W (117)	1 x 28W (117) 2 x 21W (87)	3 x 28W (117)
W		508	522	678	778	1224	1234
⚡*		225W	300W	450W	600W	750W	900W
🔊*		11W	14W	21W	28W	34W	42W

L = Length without endwalls



## ELECTA EC300



### Pastry.

1. Top shelf without refrigeration - shelf lighting. \*
2. Cream-colour painted interior.
3. Refrigerated shelf.
4. Removable refrigeration drawer.

Operating temperature: 4°/+6°

Climatic class (EN441): 3

Temperature class: H1

Type of refrigeration: ventilated

Defrosting: compressor stop (resistor \*)

Display surface: 1,25 m<sup>2</sup> per linear meter

Evaporator: pre-painted

Lighting: fluorescent tube with white light (colour 830)

Reactor: electronic

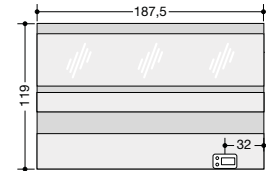
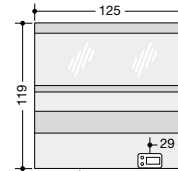
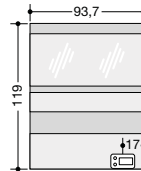
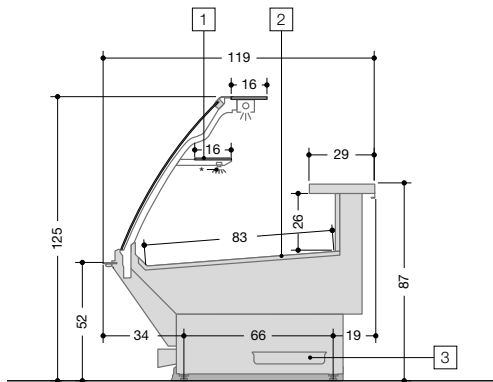
Control: electronic

Average refrigerating power (evaporation -10 °C):  
300 W per linear meter

	L	125	187,5	375
		425	615	1200
		ø 40	ø 40	ø 40
		ø 6-12	ø 6-12	ø 6-12
		1,15	2	4,2
		1	1	2
		230-1-50	230-1-50	230-1-50
		430W	500W	950W
		60W	120W	180W
		1 x 28W (117)	2 x 21W (87)	3 x 28W (117)
		522	678	1234
	*	300W	450W	900W
	*	13W	20W	40W
	*	14W	21W	42W

L = Length without endwalls





## ELECTA EC310



### Bread.

1. Top shelf without refrigeration - shelf lighting. \*
2. Display surface made of bleached oak laminate.
3. Tray for collecting breadcrumbs.

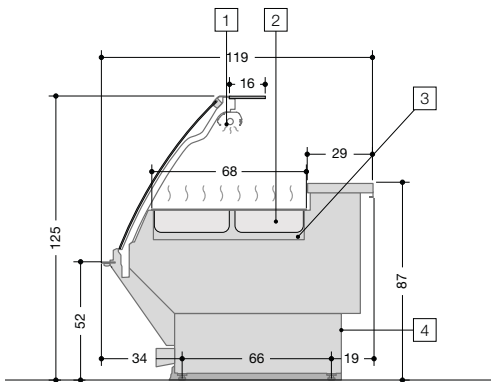
Display surface: 0,83 m<sup>2</sup> per linear meter

Lighting: fluorescent tube with white light (colour 830)

Reactor: electronic

	L	93,7	125	187,5
		0,78	1	1,55
		1	1	1
		1	1	1
		230-1-50	230-1-50	230-1-50
		1 x 21W (87)	1 x 28W (117)	2 x 21W (87)
		21	28	42
	*	10W	13W	20W
	*	11W	14W	21W

L = Length without endwalls



## ELECTA EC400



### Hot, Bain-Marie.

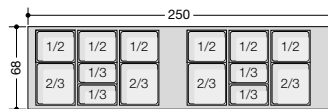
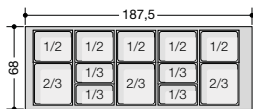
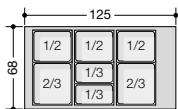
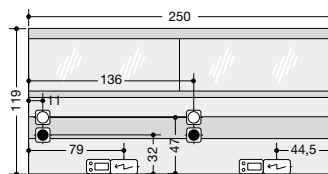
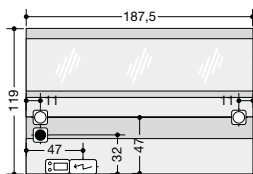
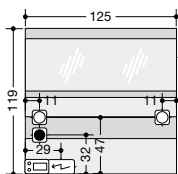
1. Heating lamp.
2. Food tray heating in bain-marie.
3. Electronic float valve for water filling.
4. Control panel with power control for hot section and heating lamp.

Operating temperature: 70°

Display surface: gastronorm trays h=100 mm

Lighting: infrared lamp

Control: electromechanical

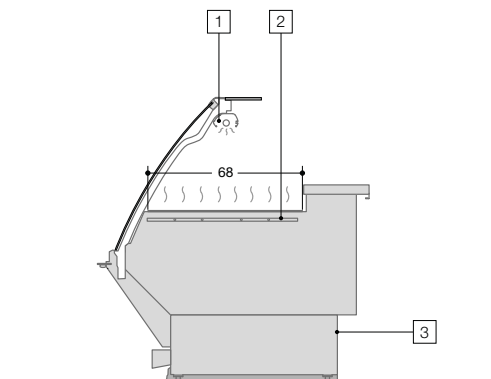


L	125	187,5	250
	ø 40	ø 40	ø 40
	ø 3/4 inches - female	ø 3/4 inches - female	ø 3/4 inches - female
	1	1	2
	1	1	2
	400-3-50	400-3-50	400-3-50
	4000W	4000W	8000W
	1 x 2000W	1 x 2000W	2 x 2000W
	6000	6000	12000

L = Length without endwalls

### Dimensions and structure of gastronorm trays:

	1/2	1/3	2/3
	32,5 x 26,5	32,5 x 17,6	32,5 x 35,4
	h 10	h 10	h 10



## ELECTA EC410



### Dry Hot.

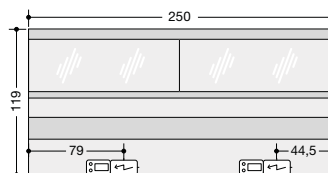
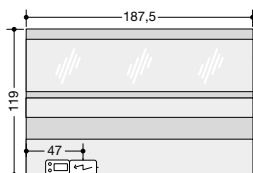
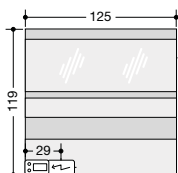
1. Heating lamp.
2. Heated plate.
3. Control panel with power control for hot section and heating lamp.

Operating temperature: 70°

Display surface: 0,68 m² per linear meter

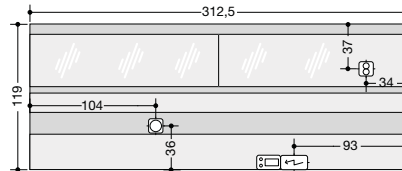
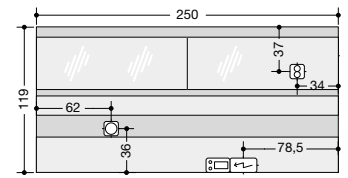
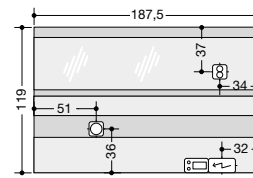
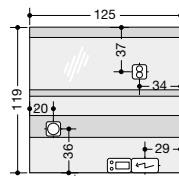
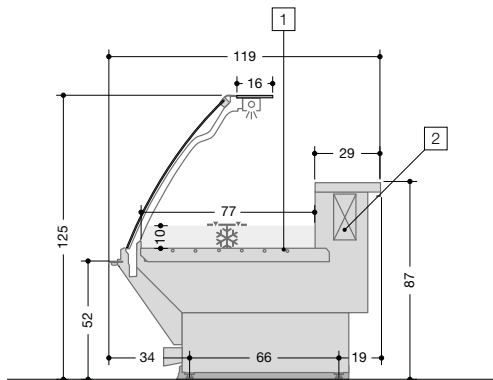
Lighting: infrared lamp

Control: electromechanical



L	125	187,5	250
	1	1	2
	1	1	2
	400-3-50	400-3-50	400-3-50
	1320W	1880W	2640W
	1 x 2000W	1 x 2000W	2 x 2000W
	3320	3880	6640

L = Length without endwalls



## ELECTA EC500



### Fish, with refrigerated base.

1. Refrigerated deck.
2. Static evaporator handled with anti-corrosion cataphoresis.

Operating temperature: 3°/+5°

Climatic class (EN441): 3

Temperature class: M2

Type of refrigeration: static

Defrosting: compressor stop (resistor \*)

Display surface: 0,77 m<sup>2</sup> per linear meter

Evaporator: cataphoresis treated

Lighting: fluorescent tube with white light (colour 830)

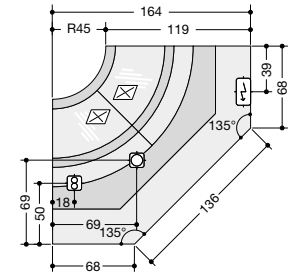
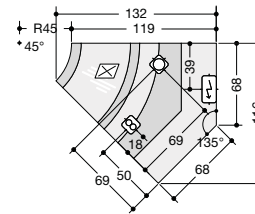
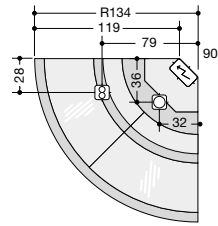
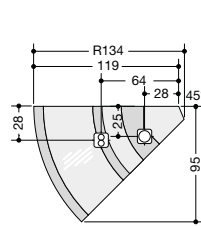
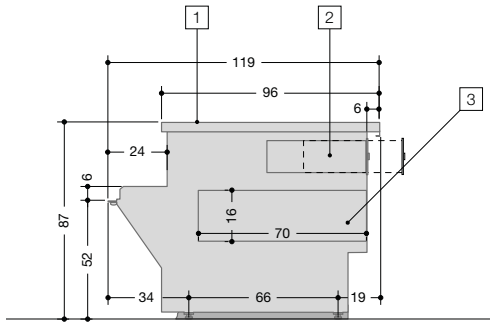
Reactor: electronic

Control: electronic

Average refrigerating power (evaporation -10 °C):  
300 W per linear meter

L	125	187,5	250	312,5
	425	615	815	1010
	ø 40	ø 40	ø 40	ø 40
	ø 6-12	ø 6-12	ø 6-12	ø 6-12
	1	1,44	1,92	2,4
	1	1	2	2
	1	1	2	2
	230-1-50	230-1-50	230-1-50	230-1-50
	430W	500W	590W	950W
	1 x 28W (117)	2 x 21W (87)	2 x 28W (117)	1 x 28W (117) 2 x 21W (87)
	20W	40W	40W	60W
	480	580	690	1080
	300W	450W	600W	750W
	14W	21W	28W	34W

L = Length without endwalls



## ELECTA

### Service Point.

1. Scratchproof AISI 304 stainless steel surface.
2. Money drawer with key.
3. Rear shelf.

### LINEAR SECTION

Length without endwalls: 62,5 - 93,7

## ELECTA (EC100 - EC200)



### Corners.

Operating temperature: 3°/+5°

Climatic class (EN441): 3

Temperature class: M2

Type of refrigeration: ventilated

Defrosting: compressor stop (resistor \*)

Evaporator: cataphoresis treated

Lighting: fluorescent tube with white light (colour 830)

Reactor: electronic

Control: electronic

Average refrigerating power (evaporation -10 °C):  
300 W per linear meter

	45° Open corner	90° Open corner	45° Closed corner	90° Closed corner
❄️	310	460	310	460
⊙	ø 40	ø 40	ø 40	ø 40
⊕	6-12	6-12	6-12	6-12
△	0,48	0,96	0,72	1,44
▨	1	2	1	2
✉	-	-	1	2
⊙	400W	380W	430W	430W
⊕	60W	120W	60W	120W
💡	1x14W (60)	2 x 14W (60)	1x14W (60)	2 x 14W (60)
W	474	528	504	578
W *	225W	300W	225W	450W
⊙ *	6W	10W	3W	5W